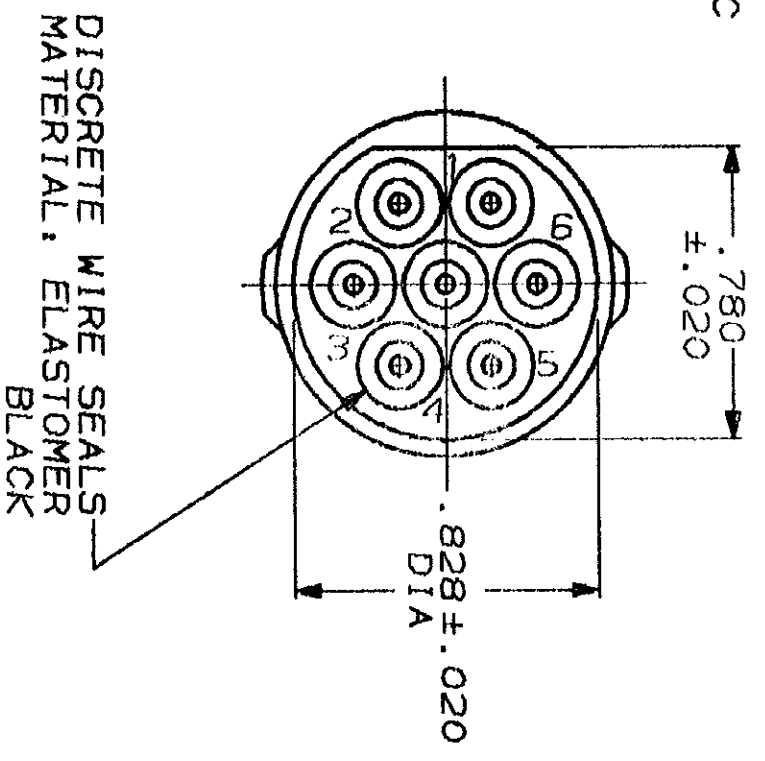
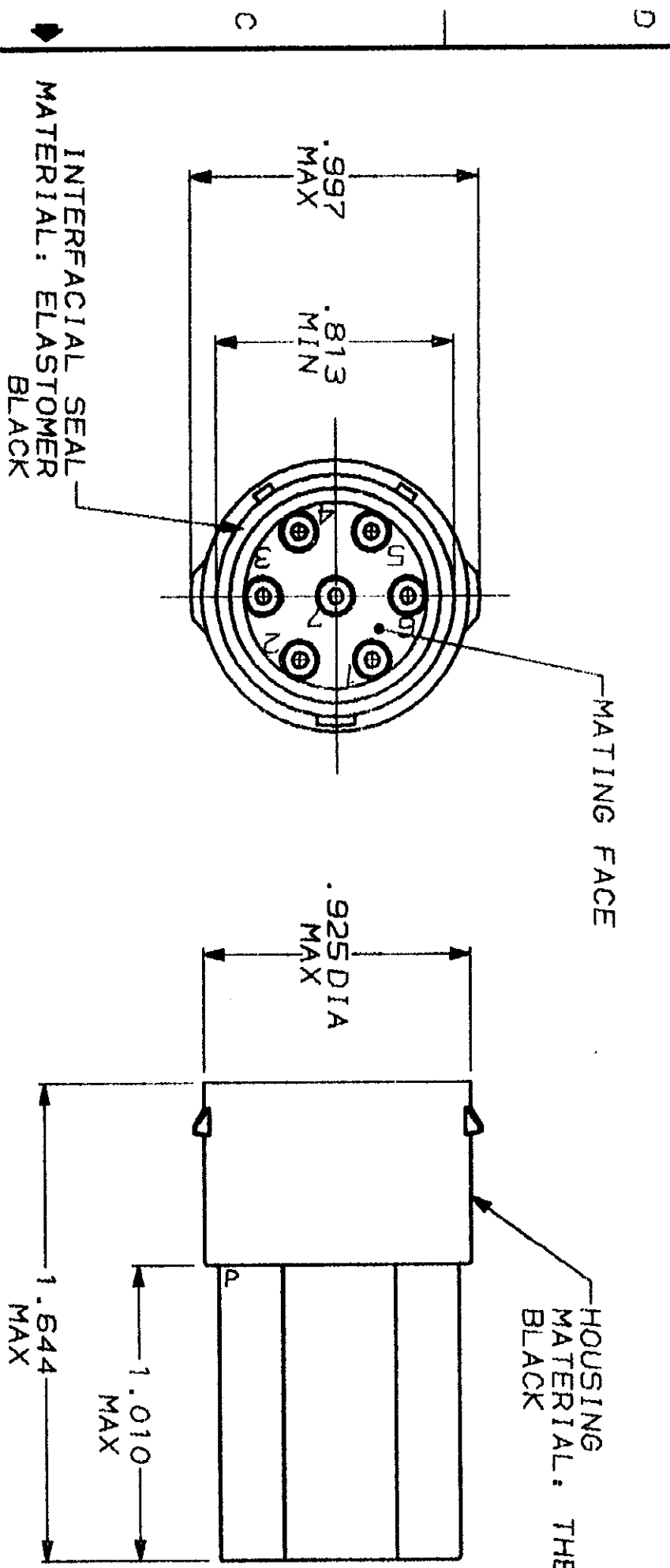


DRAWING MADE IN THIRD ANGLE PROJECTION  
 THIS DRAWING IS UNPUBLISHED. RELEASED FOR PUBLICATION  
 © COPYRIGHT 19 BY AMP INCORPORATED. ALL INTERNATIONAL RIGHTS RESERVED.

MOD	LOC	DIST
23	BD	39

P	F	ZONE	LTR
		G	

REVISIONS	DESCRIPTION	DATE	APPD
1	REDRAWN AND REV PER ECN BD4183	8-20-80	KB



1. WIRE INSULATION SEALING RANGE .070-.130 DIA.
2. THIN MEMBRANE PERMISSIBLE ON SMALL DIAMETER OF WIRE SEALS.

NO	207573-2	PART NUMBER
YES	207573-1	SEALS

DO NOT SCALE PRINT. DIMENSIONS SPECIFIED IN INCHES		DR	5-20-80	DATE	1-18-91
TOLERANCES UNLESS SPECIFIED		CHK	J. GALLAGHER	APPD	J. GALLAGHER
1 FRACTIONAL		NAME			
2 DECIMAL		RECEPTACLE, 7 POSITION, STANDARD CIRCULAR SEALED CONNECTOR			
3 ANGLES		MATERIAL			
SEE CALLOUT		FINISH			
APPLICATION SPEC		SCALE			
WEIGHT		B 00779			
SCALE		2:1			
DRAWING NO		207573			
SHEET		1 OF 1			

**AMP** AMP INCORPORATED  
 Harrisburg, Pa. 17105

CUSTOMER DRAWING